

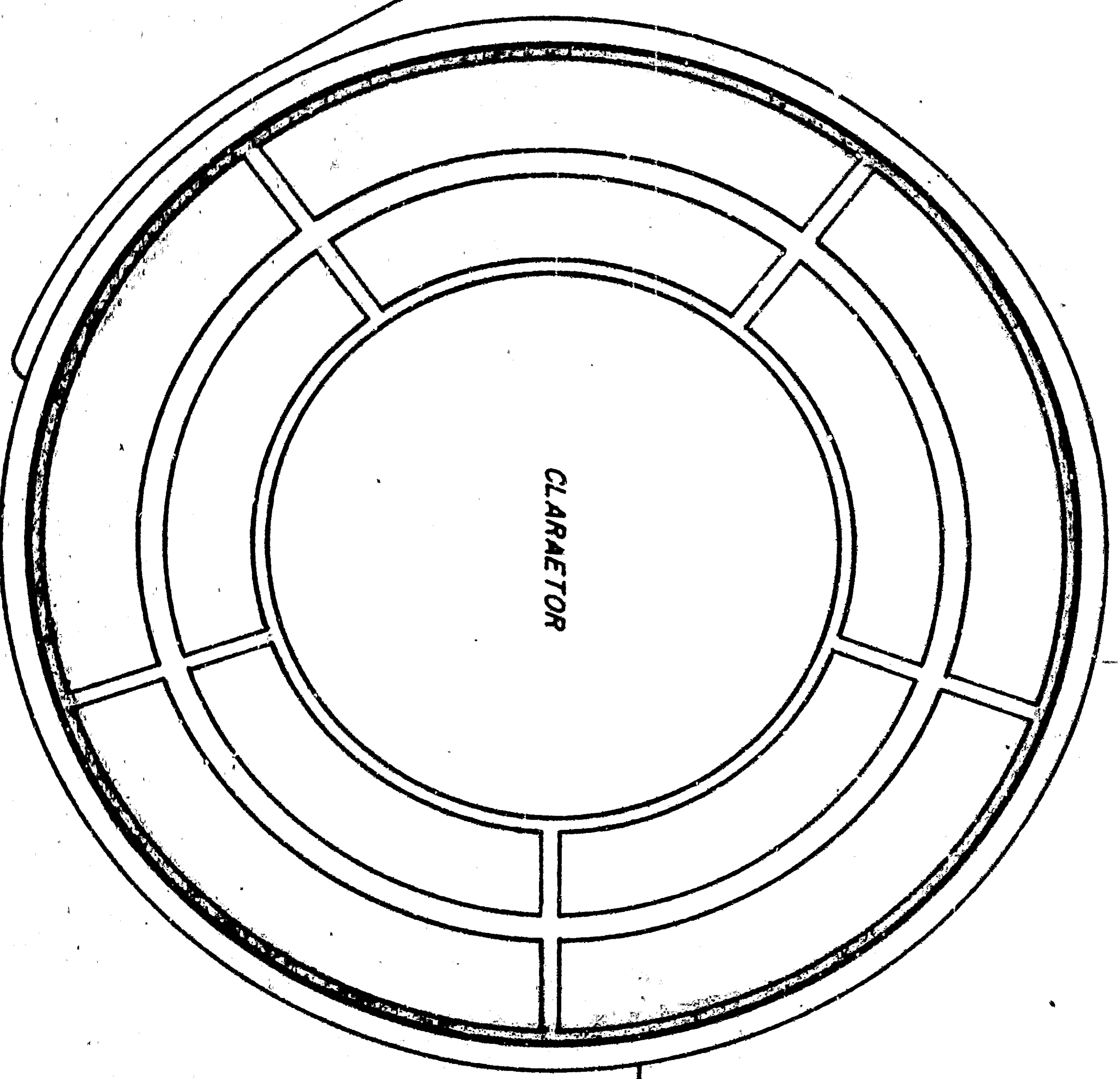
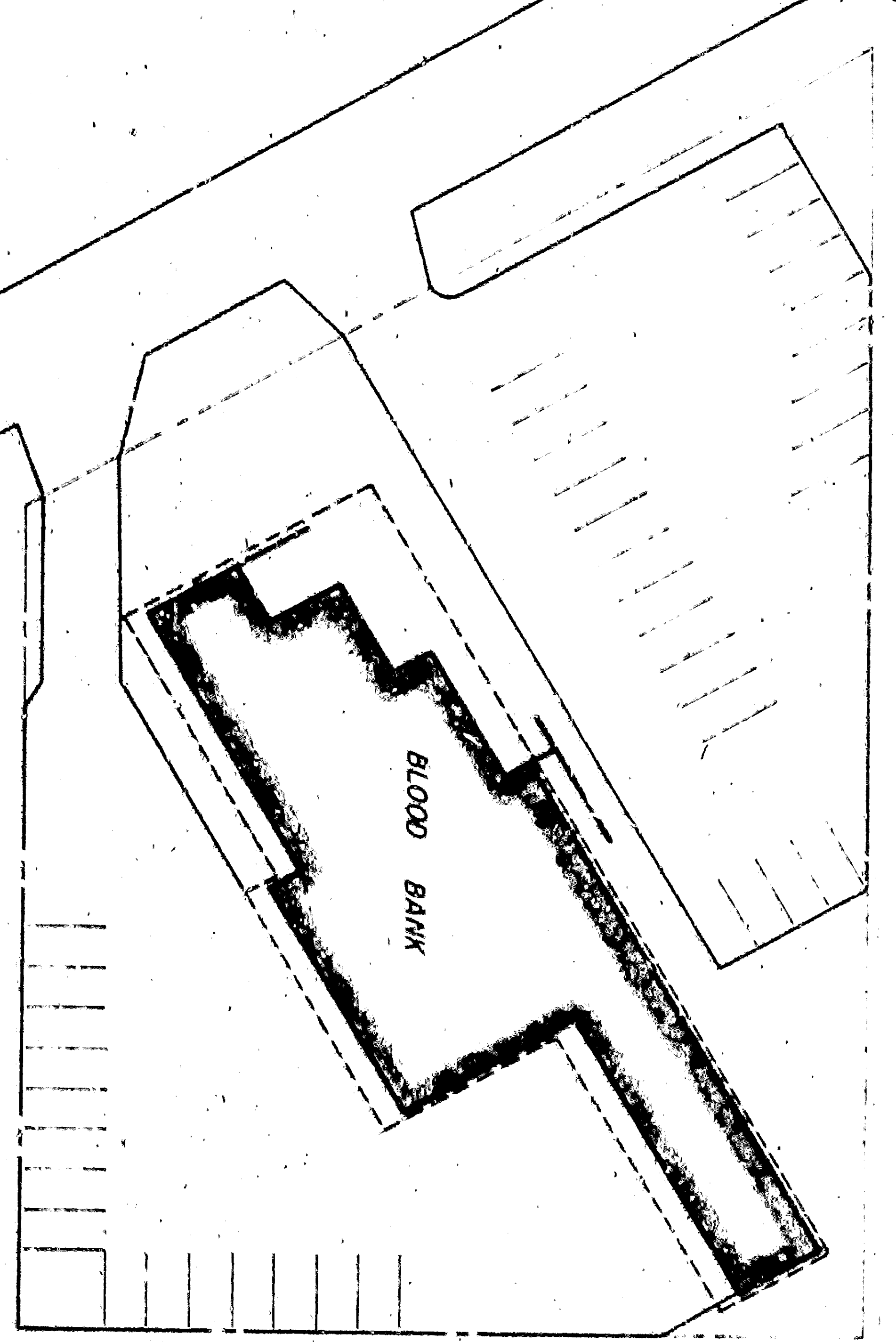
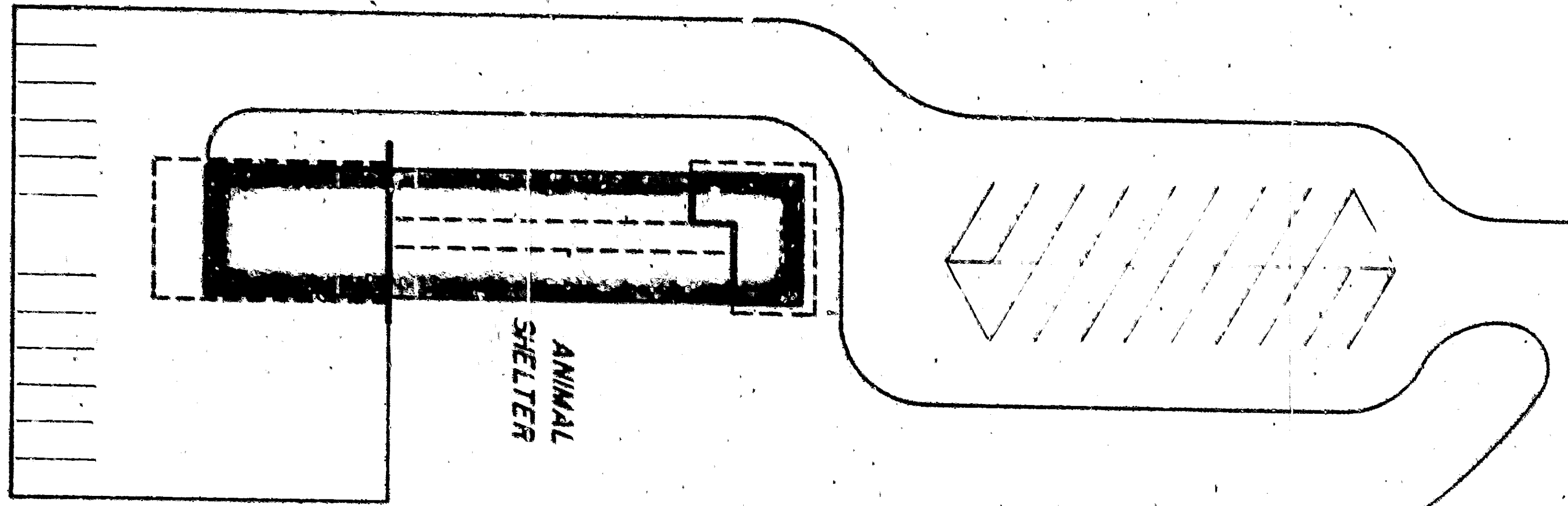
SO. CALIFORNIA EDISON CO.

CENTURY AVE.

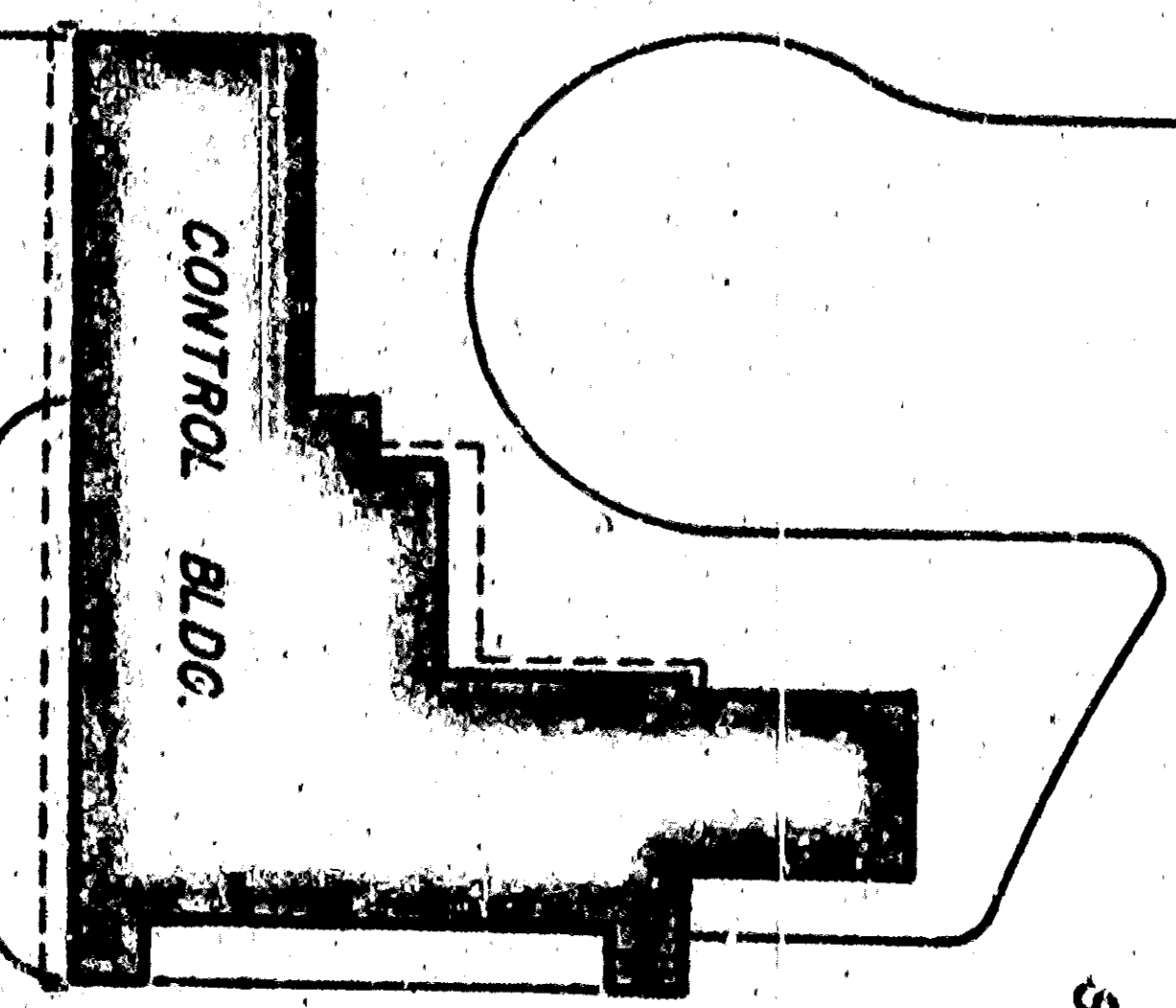
CENTER CHEVROLET

U. S. REGIONAL POST OFFICE FACILITY

ATLAS WAY



SEWAGE PLANT NO. 2



WHITE FRONT STORES

PUBLIC FACILITIES GREEN

CITY PARCEL - PORTION OF LOTS 14 23 24 BLOCK 54 OF RANCHO SAN JOSE





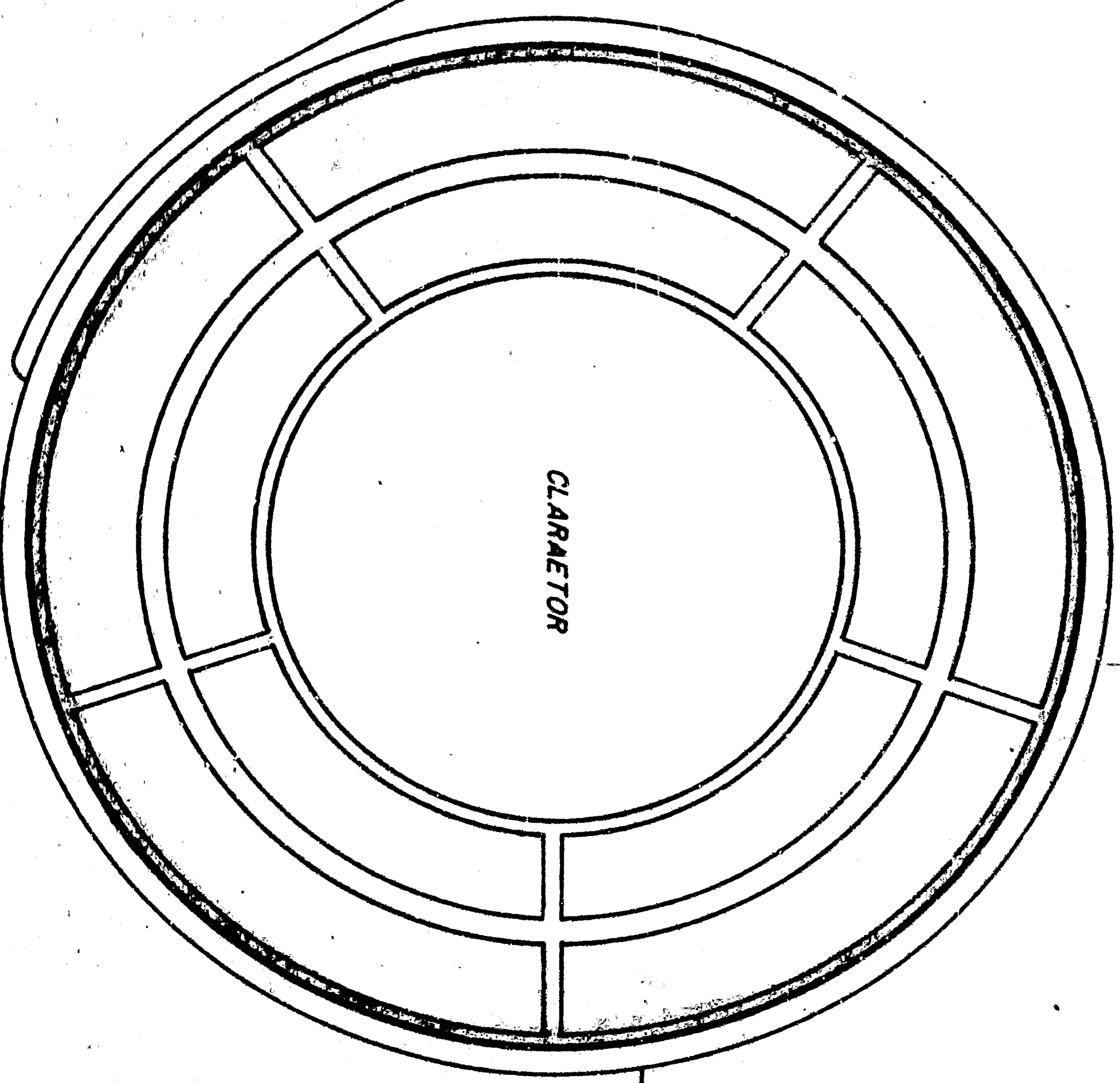
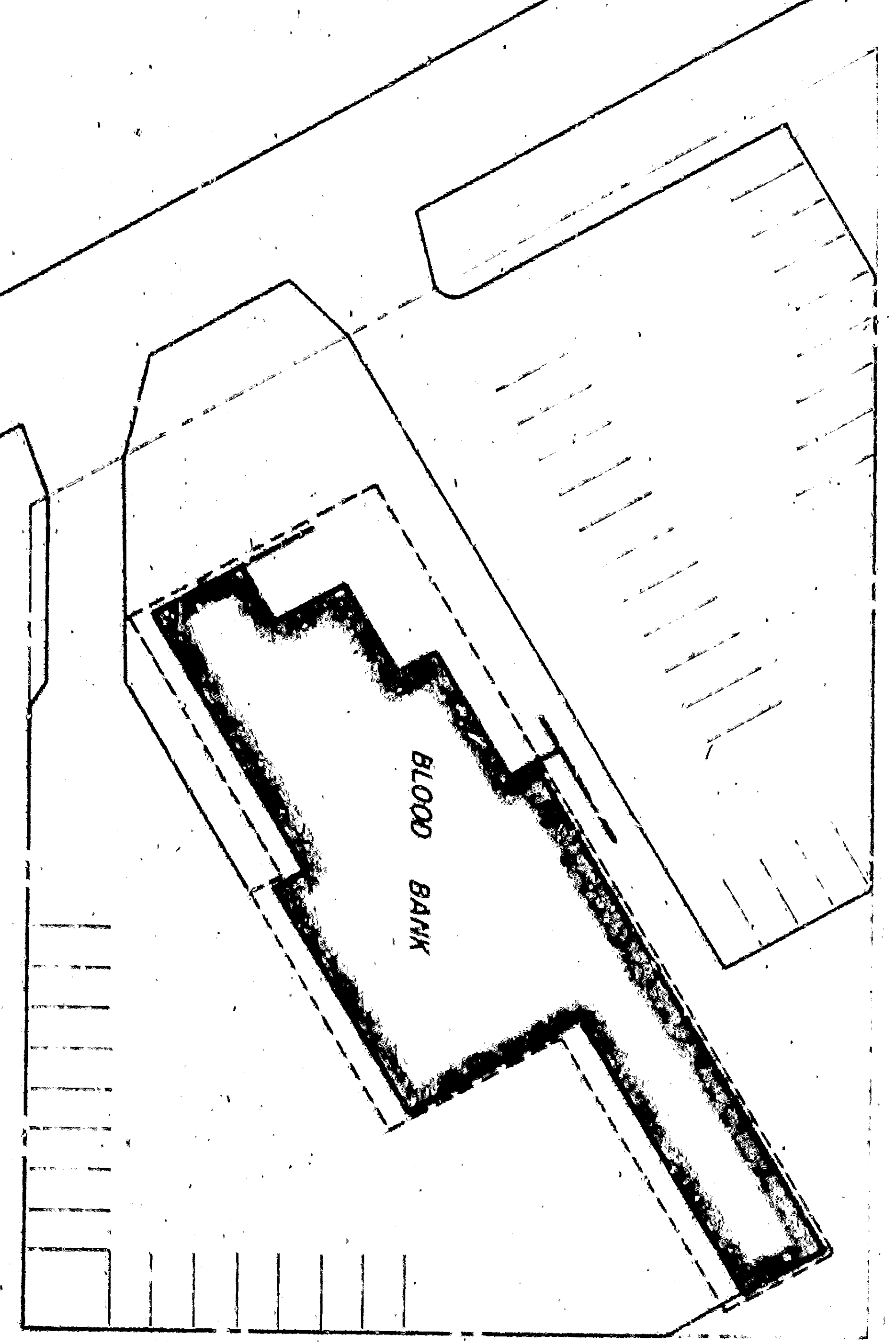
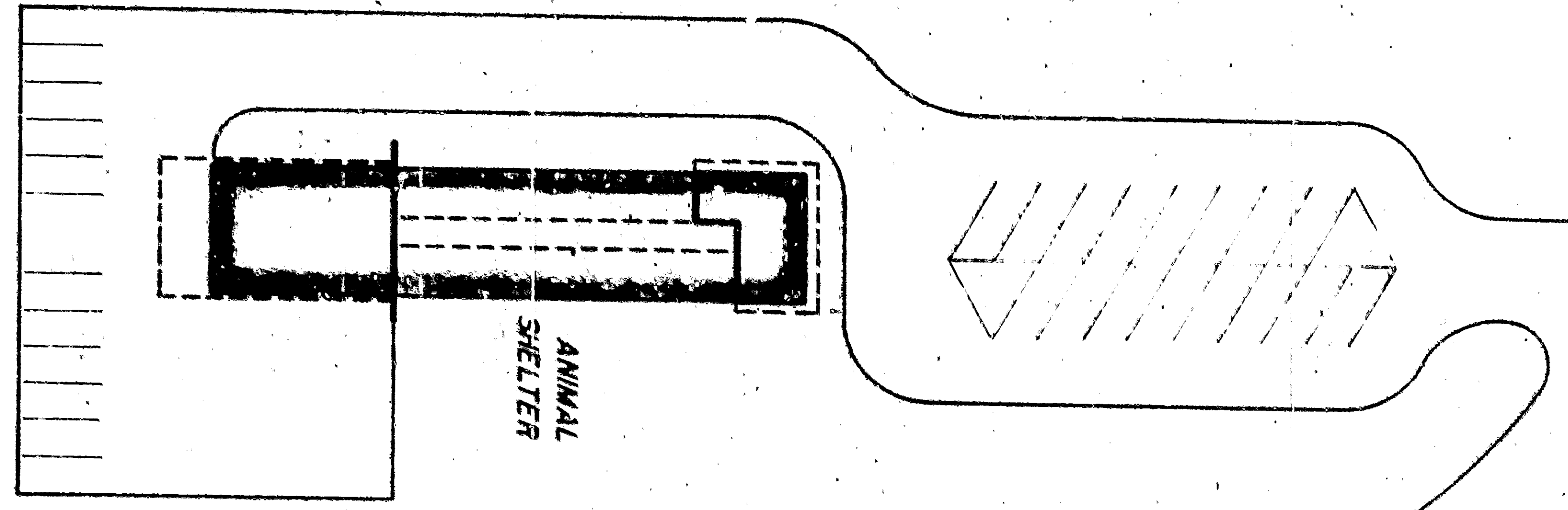
SO. CALIFORNIA EDISON CO.

CENTURY AVE.

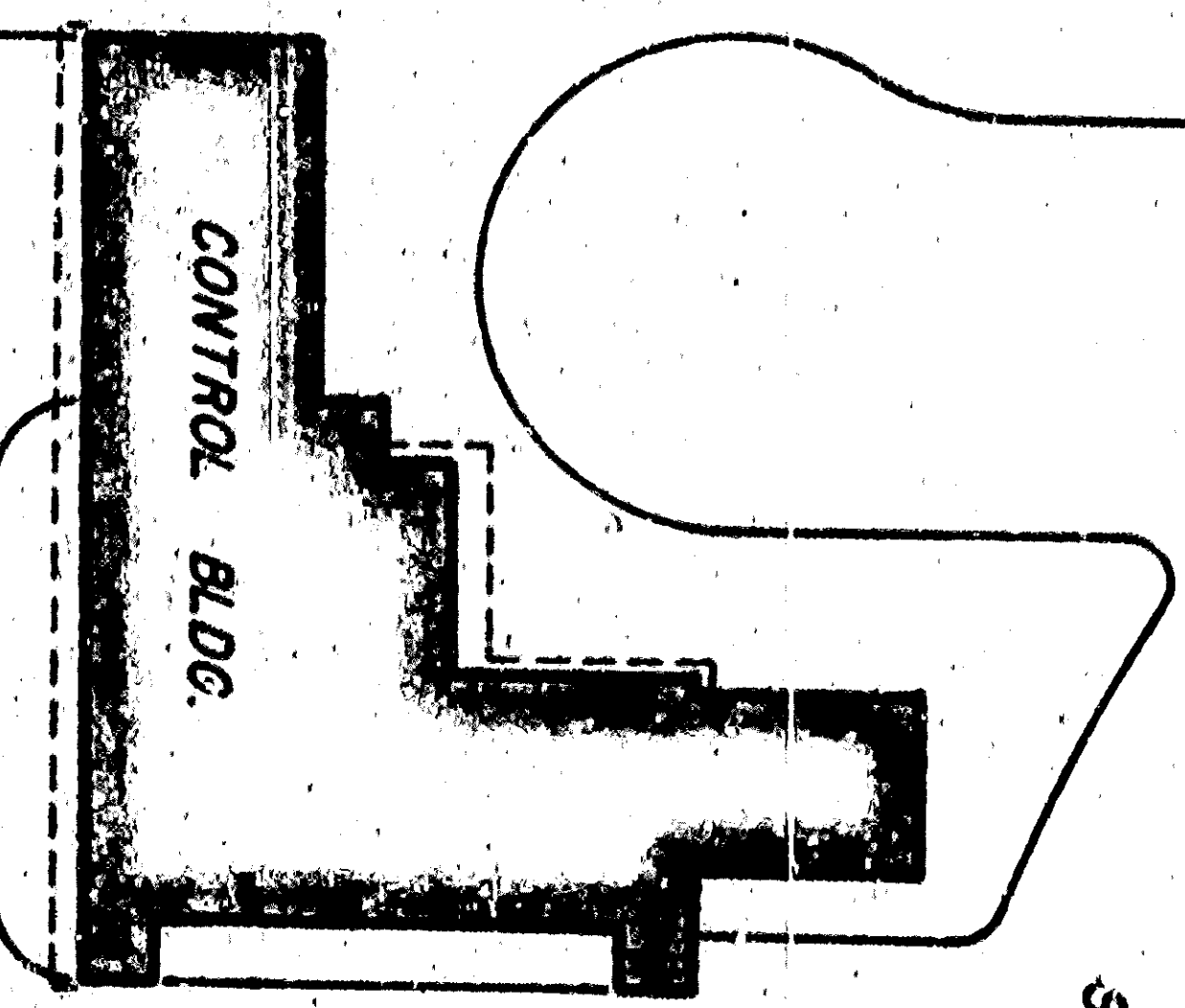
CENTER CHEVROLET

U. S. REGIONAL POST OFFICE FACILITY

ATLAS WAY



SEWAGE PLANT NO. 2



WHITE FRONT STORES

PUBLIC FACILITIES GREEN

CITY PARCEL - PORTION OF LOTS 14 23 24 BLOCK 54 OF RANCHO SAN JOSE

